



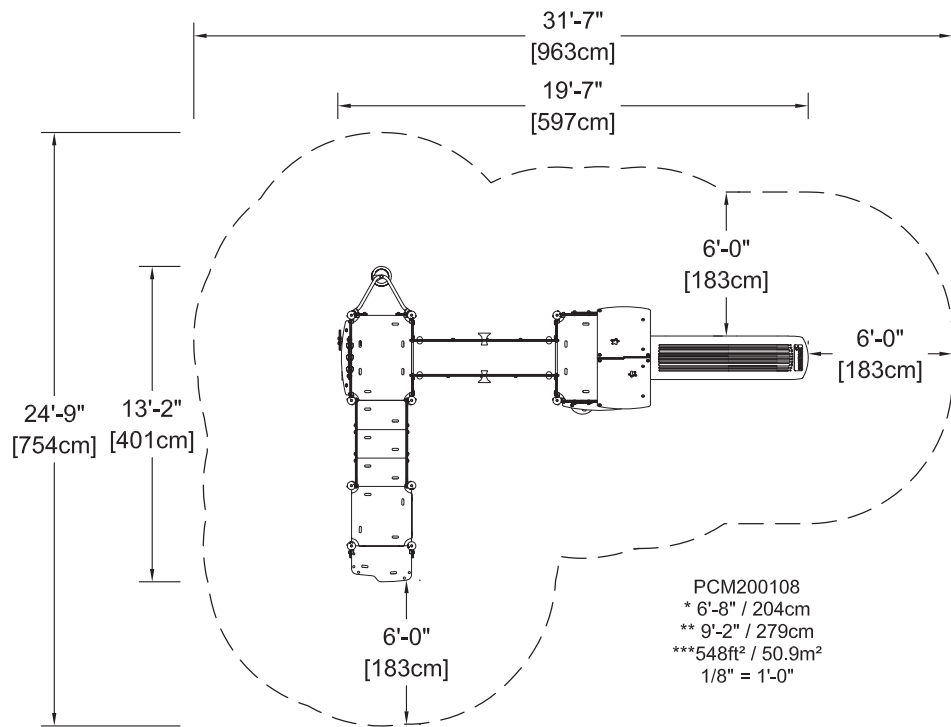
Best User Age: **2-5 years**

Footings: In-ground posts
Surface installation also available

Technical information available at koman.com

ADA ANALYSIS	Elevated Activities: 6	Accessible Elevated Activities	Accessible Ground Level Activities	Accessible Ground Level Play Types
Present		6	3	2
Required		3	2	2

Available Options:



To verify product certification, visit www.ipema.org

- * = Highest designated play surface.
- ** = Total height of product.
- *** = Total area of safety zone.

Highest designated play surface, space required and total area of safety zone are according to ASTM F1487.

Equipment must be installed over resilient surfacing appropriate to the safety guidelines in your area.

Product development is an ongoing process. We reserve the right to make modifications on all our products. This product may not be mirrored, scaled or altered in any way. Safety zones must be retained for proper placement of equipment. If any changes are required, please contact your KOMPAN representative at 1.800.426.9788.